

ZOOM STEREO MICROSCOPES MODEL SCZ SERIES

The Model **SCZ** series offer outstanding optics to ensure a sharp and high contrast image for minimizing operators' fatigue. The working distance is 100mm allowing easy handling of samples. The standard magnification is 8x to 40x (zoom ratio 5:1), and the total range of magnification is 2x to 160x with optional lenses.



SCZ-40PF

Large stage is equipped for convenience of work. A long life and low temperature 15W fluorescent lamp is used for the built-in incident light.



SCZ-T4P

Stage clips and black & white stage plates are provided for convenience of observation.



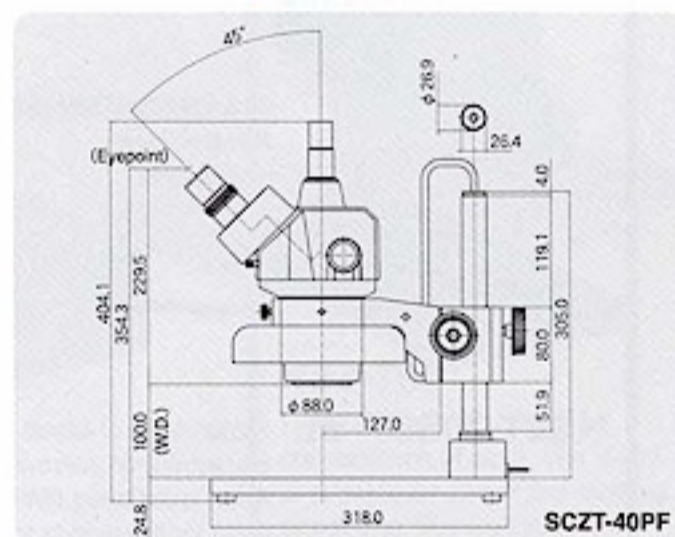
SCZT-40PF

Large stage is equipped for convenience of work. A long life and low temperature 15W fluorescent lamp is used for the built-in incident light.



SCZ-4P

Stage clips and black & white stage plates are provided for convenience of observation.



Models	SCZ-40PF	SCZ-4P	SCZT-40PF	SCZ-T4P
Magnification	8x to 40x (field of view : 25mm to 5mm)			
Objective Lenses	0.8x to 4.0x (zoom ratio : 5:1)			
Eyepieces	Wide Field 10x (SW10xZ) (field number : 20)			
Optical Body	360° rotatable binocular type, 45° inclined eyepiece tube		360° rotatable trinocular type, 45° inclined eyepiece tube & vertical tube	
Working Distance	100mm			
Interpupillary Distance	54mm to 73mm		53mm to 73mm	
Diopter Adjustment	± 9.6D on both eyepiece tubes		± 5.6D on both eyepiece tubes	
Stand Type	Pole type (305mm)	Pole type (304mm)	Pole type (305mm)	Pole type (304mm)
Incident Light	Fluorescent Lamp 15W (FCL15EX-N)	Nil	Fluorescent Lamp 15W (FCL15EX-N)	Nil
Transmitted Light	Nil			
Stage Plate	Nil	Black & white plates (φ=100mm)	Nil	Black & white plates (φ=100mm)
Base	220mm x 318mm	180mm x 266mm	220mm x 318mm	180mm x 266mm
Height	355mm	353mm	410mm	405mm
Net Weight	6.5kg	4.5kg	7.2kg	5.2kg
Accessories	Rubber eyeguards, Tension control pin, Dust cover, Objective cap		Rubber eyeguards, Tension control pin, Dust cover, Objective cap, Photo-eyepiece with ring	